

Proximity Sensors Capacitive High-temperature Type ECH, M 30

Stocked, Distributed, and Supported by
SENSORS
 INCORPORATED
 507 Kelsey Street • Delano, MN 55328
 Phone 763-972-1040 Fax 763-972-1041
 Toll Free 888-920-0939
 Sensorsincorporated.com



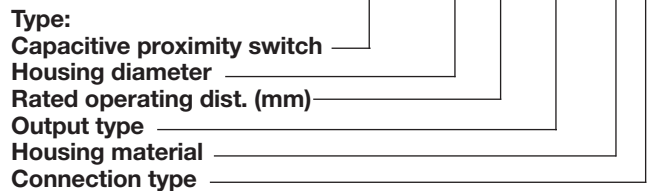
- For temperature applications, from -196°C to +180°C
- Sensor diameter: M 30, teflon and stainless steel
- Adjustable sensing distance: 4 to 15 mm, factory set for 10 mm
- Power supply: 10 to 40 VDC
- Output: transistor NPN or PNP, make & break switching
- Protection: Reverse polarity, short-circuit, transients
- LED-indication for output ON
- Separate amplifier and sensor
- Plug connection

Product Description

Capacitive proximity switch for non-flush mounting with NPN or PNP open collector output. The sensor is provided with a separate teflon sensor head - in M 30 for temperature application within the

range of -196°C and +180°C ambient temperature, e.g. plastic pellet/resin detection in plastic injection moulding machines and drying equipment, and detection of hot wax as used in e.g. car manufacturing.

Ordering Key ECH 3010 PPA T-1



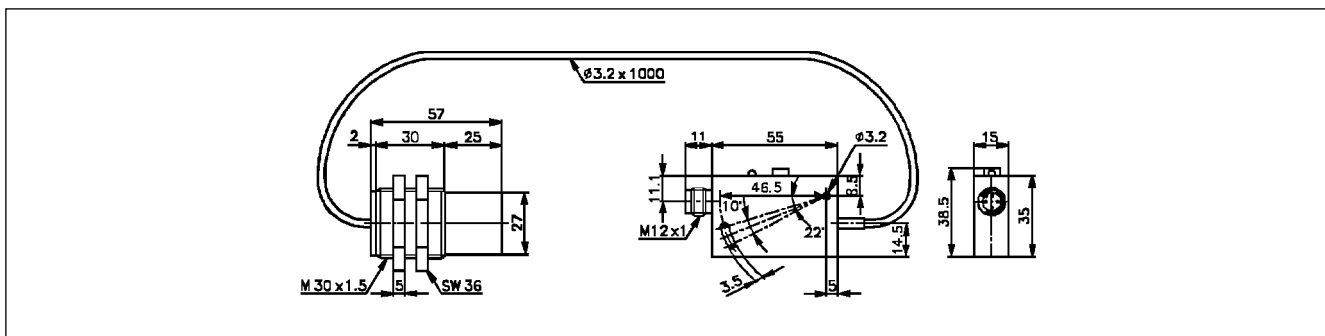
Type Selection

Housing diameter	Rated operating dist. (S _n)	Ordering no. NPN Make & break switching	Ordering no. PNP Make & break switching
M 30	4 to 15 mm	ECH 3010 NPAT-1	ECH 3010 PPAT-1

Specifications

Rated operational volt. (U _o)	12 to 36 VDC	Effective operating dist. (l_i)	0.9 x S _n ≤ S _r ≤ 1.1 x S _n
(U _B)	10 to 40 VDC (ripple incl.)	Usable operating dist. (S_u)	0.9 x S _r ≤ S _u ≤ 1.1 x S _r
Ripple	≤ 25%	Ambient temperature	
No-load supply current (I_o)	≤ 12 mA	Amplifier	
Rated operational current (I_o)	≤ 200 mA	Operating	-25° to +70°C (-13° to +158°F)
OFF-state current (I_i)	≤ 100 µA	Storage	-30° to +80°C (-22° to +176°F)
Voltage drop (U_d)	≤ 2.0 V	Sensor	
Protection	Reverse polarity, short-circuit, transients	Operating	-196° to +180°C (-321° to +356°F)
Transient voltage	≤ 1 kV/0.5 J (prepared)	Storage	-196° to +180°C (-321° to +356°F)
Frequency of operating cycles (f)	5 pulses per s	Cable	-55° to +200°C (-67° to +392°F)
Indication for output ON	LED, yellow	Degree of protection	IP 67 (Nema 1, 3, 4, 6, 13)
Rated operating dist. (S_n) (adjustable)	4 to 15 mm factory set: 10 mm Reference object: Grounded steel plate. Other objects: Refer to "Reduction Factors", Technical information.	Housing material	
Assured operating dist. (S_a)	0 < S _a < 0.81 x S _n	Amplifier	Yellow thermoplastic polyester
Repeat accuracy (R)	<10%	Sensor	Teflon
Hysteresis (H) (Differential travel)	1 to 20% of sensing distance	Sensor thread	M 30 x 1.5 stainless steel AISI 304
		Cable (Sensor)	1 m teflon (shielded)
		Plug (Amplifier)	CONH1A.. ◊
		Weight	
		Amplifier	45 g
		Sensor	90 g
		Nut	18 g
		Tightening torque (Sensor)	Max. 80 Nm

Dimensions



ECH 3010 .PAT-1

Delivery Content

- Proximity switch:
ECH 3010...
- 2 nuts
- Screw driver
- Installation instructions
- Packaging: carton box

Wiring Diagrams

Refer to "Wiring Diagrams",
Technical information.

Accessories

Refer to "Accessories",
Technical information.