

Stocked, Distributed, and Supported by

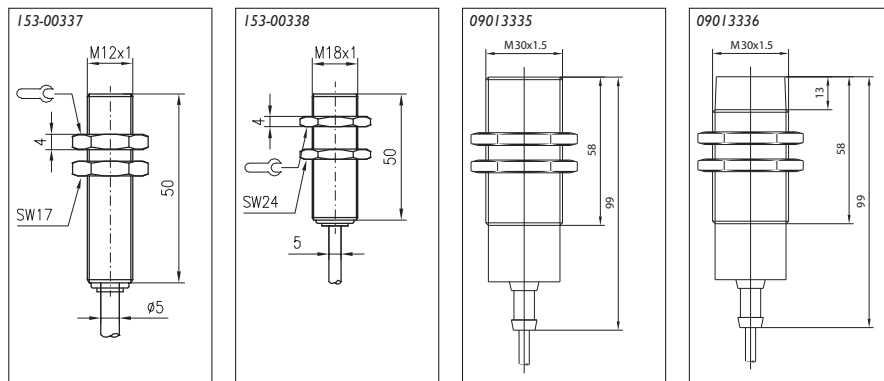
SENSORS
INCORPORATED

507 Kelsey Street • Delano, MN 55328
Phone 763-972-1040 Fax 763-972-1041
Toll Free 888-920-0939
Sensorsincorporated.com



Inductive sensors with analogue output

Robust metal housing
Short-circuit/overload protection
Large measuring distance



Housing (mm)	M12	M18	M30	M30
Operating range (mm)	0 to 6	0 to 10	3 to 8	4.5 to 14
Type of mounting	quasi-flush	quasi-flush	quasi-flush	non-flush
Special features	analogue	analogue	analogue	analogue
Frequency (Hz)	1000	500		
Repeatability	< 0.3 mm	< 0.3 mm	< 0.02 mm	< 0.02 mm
Type of connection	cable	cable	cable	cable
Signal output	analogue	analogue	analogue	analogue
Output function	falling characteristic curve on approach	falling characteristic curve on approach	falling characteristic curve on approach	falling characteristic curve on approach
Range of operating voltage	15 to 30V DC	15 to 30V DC	10 to 30V DC	10 to 30V DC
Power consumption (no load) (mA)	< 10	< 10	< 10	< 10
Sensor output	4-20 mA/0-10V	4-20 mA/0-10V	4-20 mA/0-10V	4-20 mA/0-10V
Casing material	chromium-plated	chromium-plated	chromium-plated	chromium-plated
	brass	brass	brass	brass
Protection standard	IP 67	IP 67	IP 67	IP 67
Ambient temperature	-10 to +60°C	-10 to +60°C	-10 to +60°C	-10 to +60°C

Order type

IS 512-02 AI

IS 518-02 A

IS 630 A b

IS 630 A nb

