

6500 1/16 DIN Simplified Temperature Controller



Stocked, Distributed, and Supported by

SENSORS
INCORPORATED

507 Kelsey Street • Delano, MN 55328
Phone 763-972-1040 Fax 763-972-1041
Toll Free 888-920-0939
Sensorsincorporated.com

- Thermocouple or RTD
- Easy Tune (PID) or On/Off
- On control indicator
- Optional process alarm
- Foolproof operation
- Setpoint lock
- Alarm lock



Specification

Features

Control Types	Easy Tune PID (with adjustable cycle time) or On-Off control
Output Configuration	Control Relay or SSR, plus optional Alarm Relay
Alarm Type	Process high, process low, setpoint deviation or band
Human Interface	3 button operation, 3 digit 13mm high red LED display, plus on-control, set-up, alarm and setpoint indicators
On-Control Indicator	Off below setpoint, on at setpoint, flashing above setpoint

Input

Thermocouple Types	J, K, T, L, & N
Thermocouple Ranges	0 to 100, 200, 300, 400, 500, 600, 700 or 800°C (max temperature 400°C for type T)
RTD Type	3 Wire PT100, 50 per lead maximum (balanced)
RTD Ranges	-50 to 100, 200, 300, 400, 500, 600, 700, 800°C or 0.0 to 99.9°C
Impedance	>100M
Accuracy	+/- 0.25% of input span +/- 1 LSD (T/C CJC better than 0.7°C)
Sampling	4 per second, 14 bit resolution approximately
Sensor Break Detection	<2 secs, control output turns off, high alarm activates for T/C input, low alarm activates for RTD input

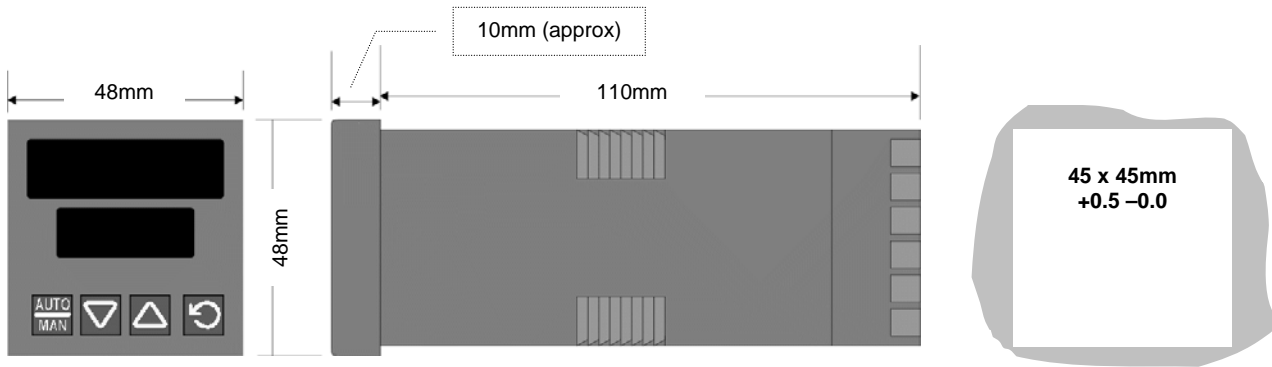
Outputs & Options

Control & Alarm Relays	Contacts SPDT 2Amp resistive at 240V AC, >500,000 operations
Control SSR Outputs	Drive capability >10V DC into 500 minimum

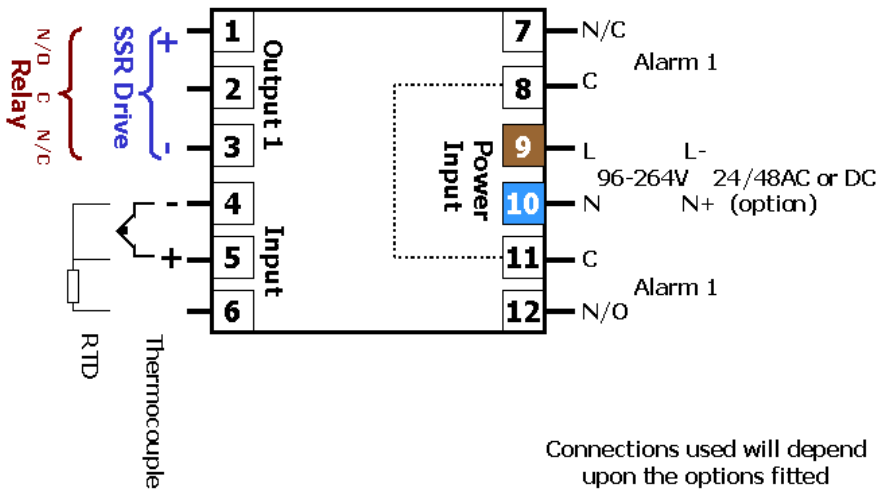
Operating & Environmental

Temperature & RH	0 to 55°C (-20 to 80°C storage), 20% to 95%RH non-condensing
Power Supply	100 to 240V 50/60Hz 7.5VA (optional 20 to 50V AC 7.5VA/22 to 65V DC 4W)
Front Panel Protection	IEC IP66 (Behind panel protection is IP20)
Approvals and Certification	CE, UL & ULc

Dimensions



Connection details



Field Reconfiguration

Input

Configurable for thermocouple or RTD, no extra parts required

Output 1

Type is fixed as Relay or SSR, not field configurable

Output 2

Type is fixed as None or Alarm Relay, not field configurable

Ordering Code

N6500 - **x** - **x** - **x** - **0** - **xx**

Input Type

3 Wire RTD	1
Thermocouple	2

Output 1

Relay Control	1
DC for SSR Control	2

Power Supply

00	100-240V AC line supply
02	24-48V AC or DC line supply

Output 2

0	Not Fitted
1	Relay Alarm Output

West Control Solutions – International Sales and Support

CHINA

Danaher Setra-ICG (Tianjin Co., Ltd.
No.28 Wei 5 Road,
The Micro-Electronic Industry Park TEDA,
Xiqing District, Tianjin 300385
Tel: +86 22 8398 8098 Fax: +86 22 8398 8099
Sales Hotline: 400 666 1802
e-mail: tc.sales@danaher.com

GERMANY

PMA Prozeß- und, Maschinen- Automation GmbH,
Miramstraße 8, 7D -34123 Kassel
Tel: +49 (561) 505-1307 Fax: +49 (561) 505-1710
e-mail: mailbox@pma-online.de

USA

West Control Solutions
1675 Delany Road, Gurnee, IL 60031-1282
Tel: 800 866 6659 Fax: 847 782 5223
e-mail: custserv.west@dancon.com

FRANCE

Hengstler SA, 69 Rue de la Belle Etoile
Bat D - ZI Paris Nord II, 95700, Roissy
Tel: +33 (1) 77 80 90 40 Fax:+33 (1) 77 80 90 50
e-mail: info@westinstruments.com

UNITED KINGDOM

West Control Solutions
The Hyde Business Park, Brighton, East Sussex, BN2 4JU
Tel: +44 (0)1273 606271 Fax: +44 (0)1273 609990
e-mail: info@westinstruments.com

Brochures and datasheets are available for the complete range of West Control Solutions products, contact your local sales office or visit our website at: www.west-cs.com for more information.

Specifications are subject to change without notice, as a result of continual development and improvement, E&OE